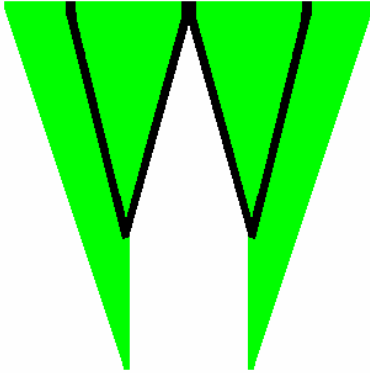


**Vinyl Window Components**

10/29/08

**Parts and Service You Can Depend On!**



**Service you can depend on!**

Since 1985, Woodland Engineering Co. has been designing and manufacturing quality plastic components for the vinyl and aluminum window industry.

Whether you're fabricating for commercial or residential markets, or for new construction or replacement applications; make Woodland your choice for component parts.

- A full line of over 70 standard products
- Both universal applications and extrusion-specific
- Most parts ready for immediate shipment
- Superior customer service
- Custom design and engineering available
- Blanket orders allowed for better price and delivery. No Surprises! Parts are always there when you need them. \* \* See Blanket order terms on back page
- Industry standard colors available as well as custom matches.

**CONTACT US**

**PHONE 847-362-0110**

**FAX 847-362-5130**

**E-MAIL SALES@WOODLANDENGINEERING.COM**

Woodland Engineering Company is a medium sized injection molding facility. Established in 1963, Woodland's beginnings were at the very infancy of Injection Molding. Our knowledge of molding and plastics is unsurpassed in the industry!

At our location in Libertyville, IL. a 16,000 square foot facility we operate 9 injection molding machines, ranging in size from 50 to 500 tons, molding both commodity and engineering resins. Assembly and hot stamping services are also performed at our location. We provide custom molding in addition to servicing our own products.

New tool construction as well as tool repairs are performed "in house" minimizing down time and allowing us to service our customers without interruption.

Stocking programs for the window industry is what has separated WEC from the rest. Servicing both US and International fabricators, our customers benefit from us keeping there lines running.

### **Mission Statement**

**"IT IS OUR GOAL TO CONTINUALLY IMPROVE AND GROW WITH EACH YEAR. WITH QUALITY AND PERFORMANCE WOODLAND ENGINEERING COMPANY WILL BE ABLE TO MEET THE FUTURE AND COMPETE IN WHAT EVER MARKET WE PURSUE. ALL THE WHILE PROVIDING OUR CUSTOMERS WITH ALL THE BENEFITS OF US REACHING OUR FULL POTENTIAL."**

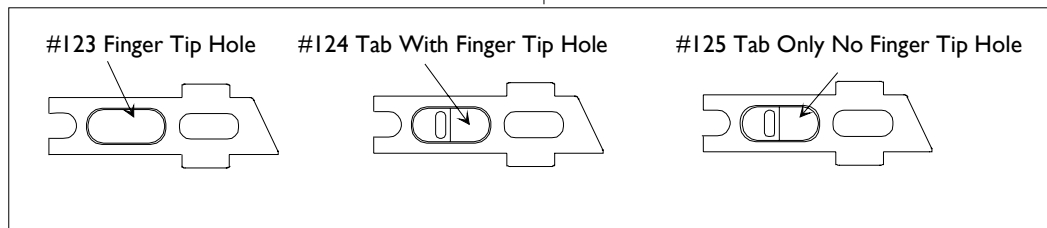
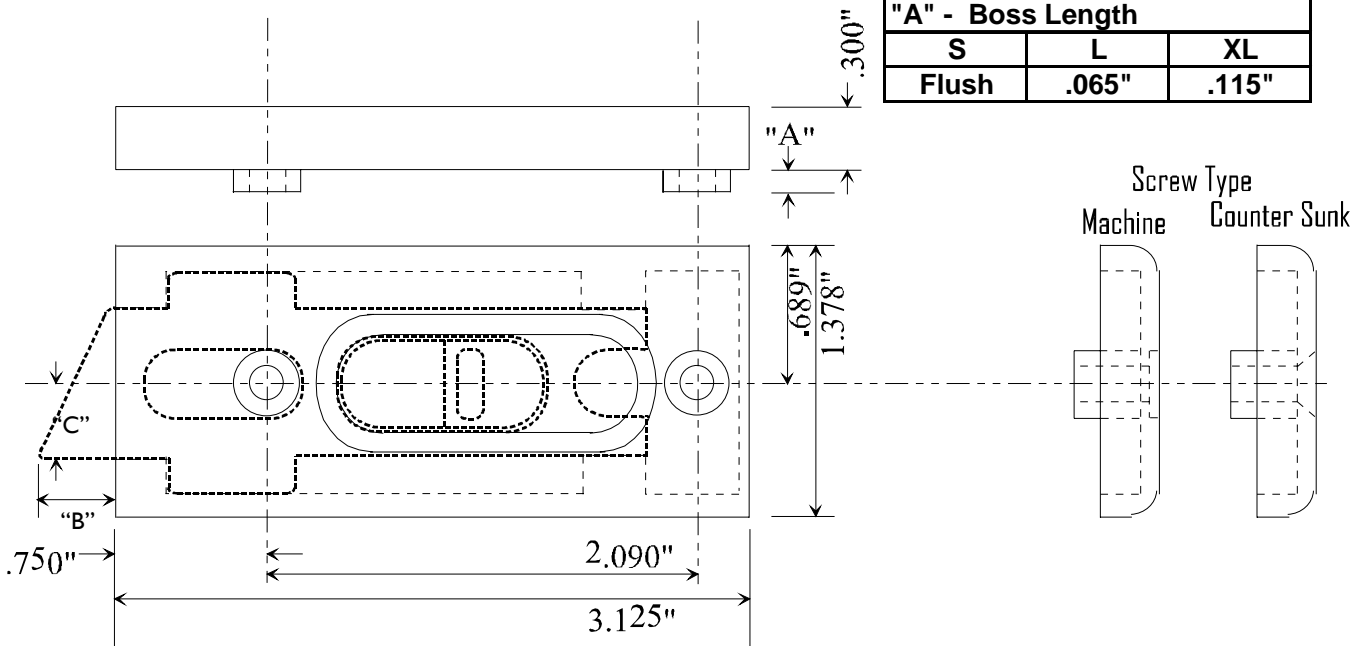
**CARL ENGLUND  
PRESIDENT**

### 100 Series Tilt Latch



Latch	S-Nose	L-Nose
B	.315"	.410"
C	.350"	.375"

"A" - Boss Length		
S	L	XL
Flush	.065"	.115"



**Tilt Latch Housing**

Cat. No.	1,000	5,000	10,000	20,000	40,000	100,000
100-** 1,000/Ctn	\$191.00	\$113.00	\$105.00	\$103.00	\$99.00	\$97.00

**Tilt Latch**

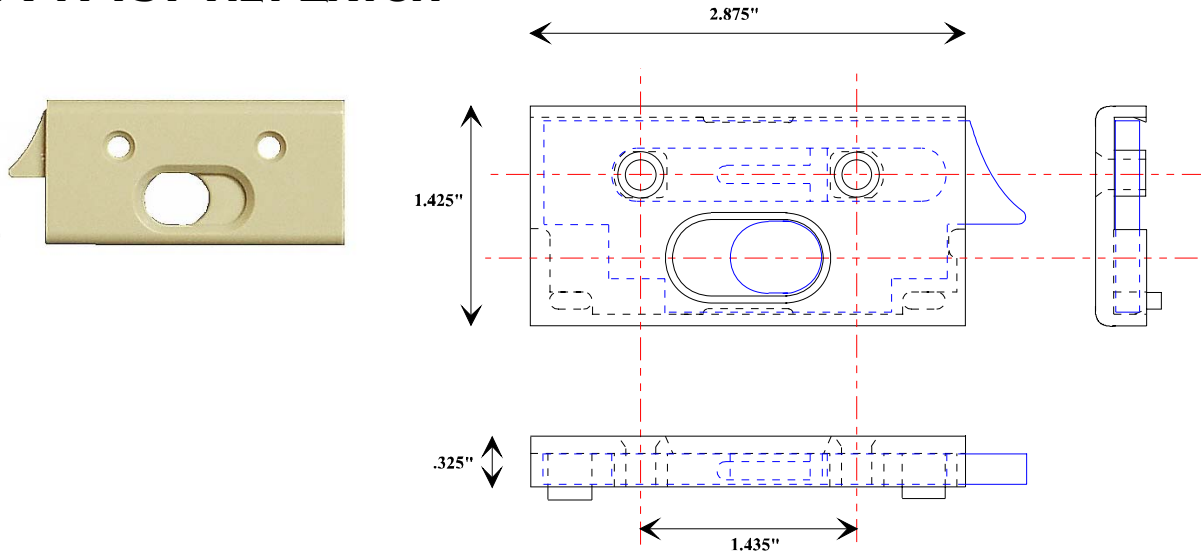
Cat. No.	1,000	5,000	10,000	20,000	40,000	100,000
123,124,125 3,000/Ctn	\$147.00	\$69.00	\$61.00	\$59.00	\$55.00	\$53.00

**Spring - For 100, Series Housing**

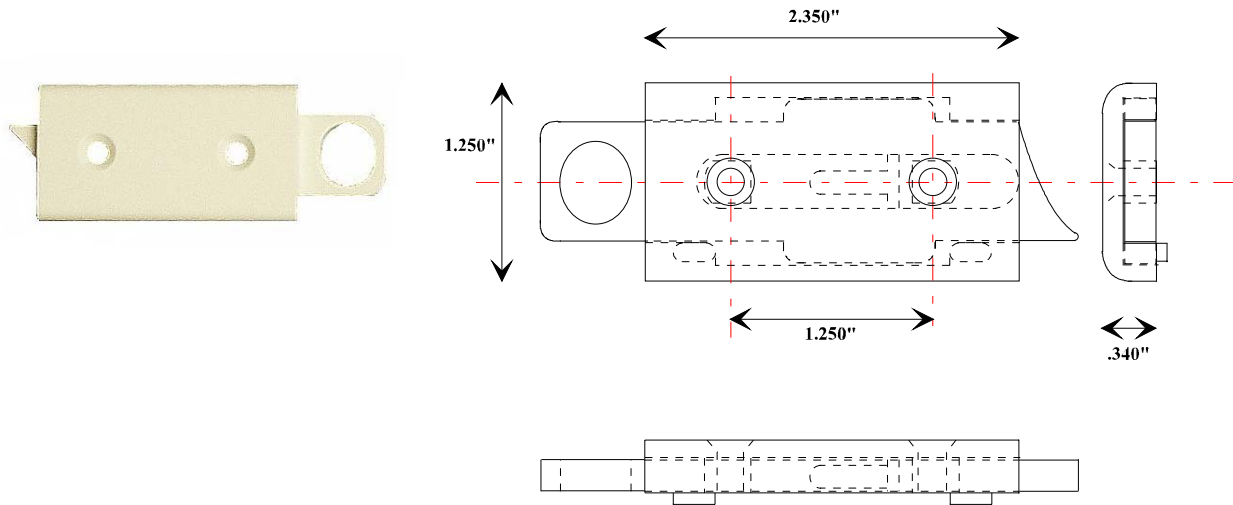
Cat. No.	1,000	5,000	10,000	20,000	40,000	100,000
325	\$9.00	\$8.00	\$7.50	\$7.00	\$6.50	\$6.00

\*\* 100 Series Tilt Latch is not available Pre-Assembled

### P/N 131 TILT LATCH



### P/N 141 TILT LATCH

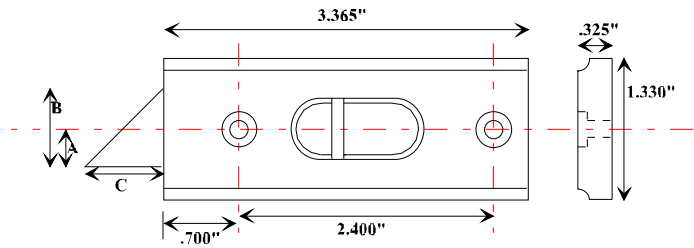


*Pre-Assembled Tilt latch (Certainteed)*

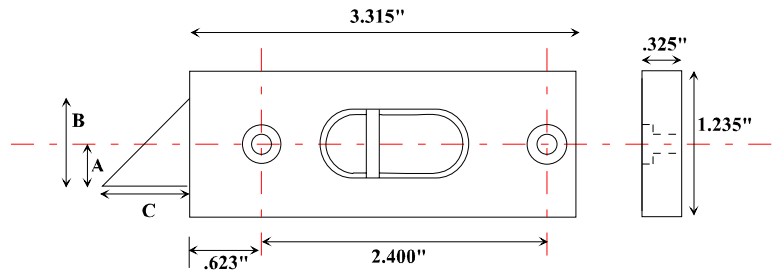
Prices are "Per Thousand"

Cat. No.	Qty/Ctn	1,000	5,000	10,000	20,000	40,000	100,000
131(LH/RH)	1024	\$226.00	\$215.00	\$207.00	\$204.00	\$202.00	\$197.00
141(LH/RH)	1024	\$226.00	\$215.00	\$207.00	\$204.00	\$202.00	\$197.00

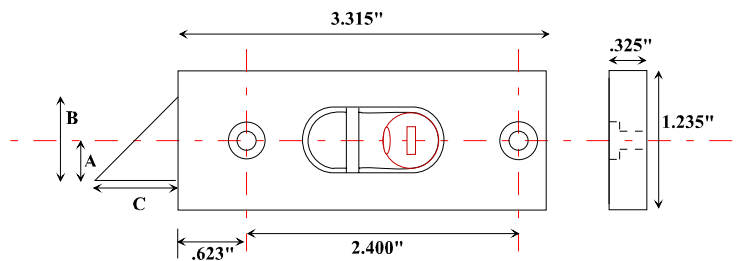
**Part No.: 133W Pre-Assembled Tilt**



**Part No.: 133 Pre-Assembled Tilt Latch**



**Part No.: 132 Pre-Assembled Tilt Latch With**



**Slot Button**



**Tri-Wing Button**



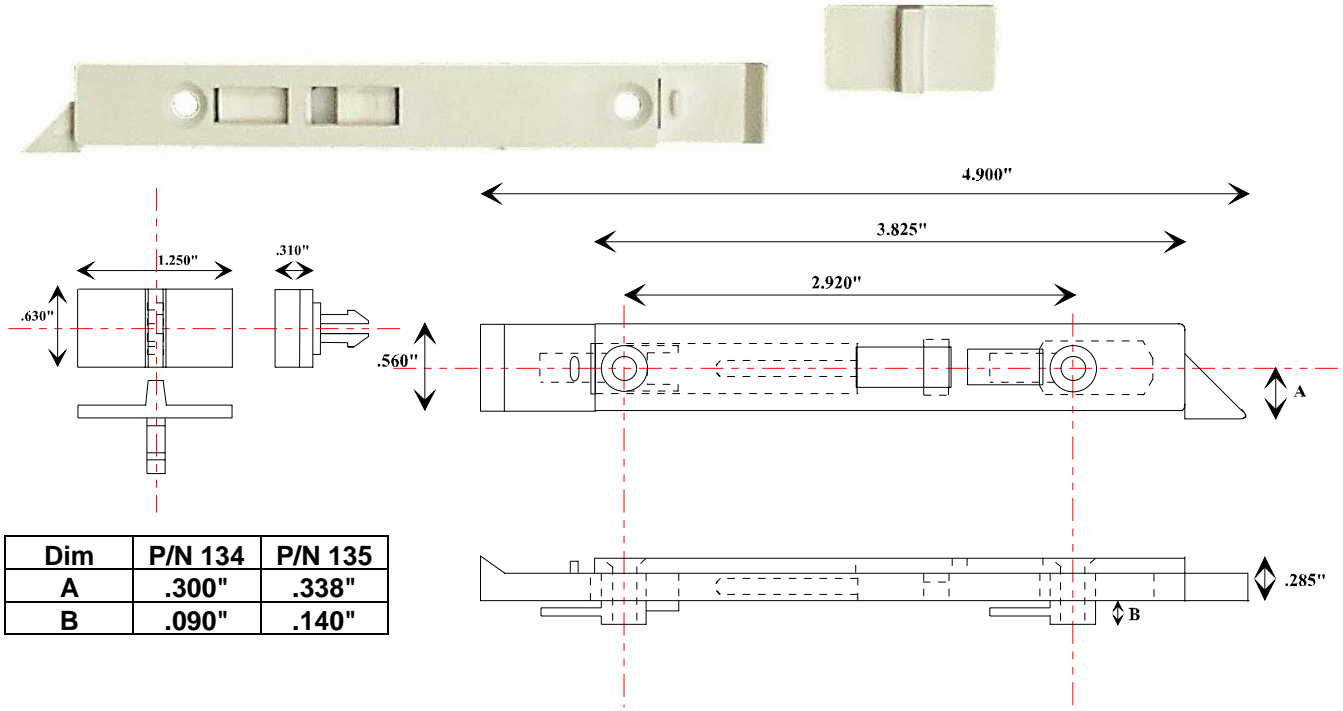
**P/N 450 Tri-Wing Button**



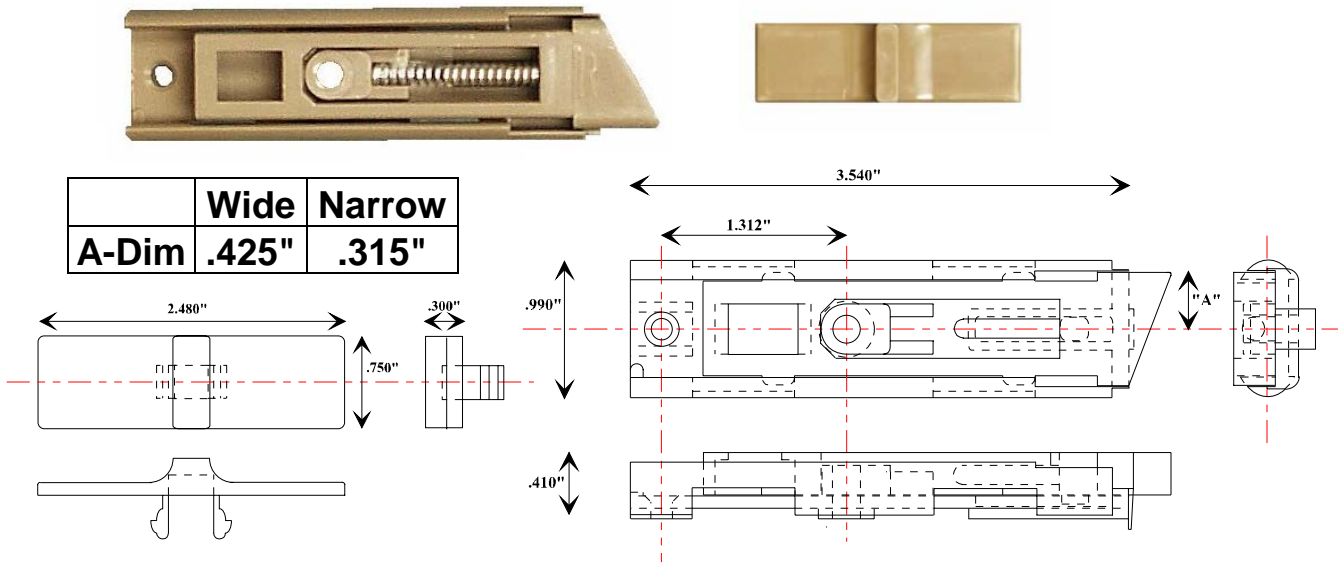
Dim.	Nose #1	Nose #2	Nose # 3	Nose #4	Nose #5
A	.325"	.435"	.320"	.390"	.360"
B	.665"	.765"	.490"	.535"	.710"
C	.420"	.410"	.410"	.390"	.460"

<b>Cat. No.</b>	<b>1,000</b>	<b>5,000</b>	<b>10,000</b>	<b>20,000</b>	<b>40,000</b>	<b>100,000</b>
133W	\$209.00	\$196.00	\$186.00	\$177.00	\$174.00	\$172.00
<b>Cat. No.</b>	<b>1,000</b>	<b>5,000</b>	<b>10,000</b>	<b>20,000</b>	<b>40,000</b>	<b>100,000</b>
132	\$246.00	\$231.00	\$221.00	\$214.00	\$211.00	\$209.00
<b>Cat. No.</b>	<b>1,000</b>	<b>5,000</b>	<b>10,000</b>	<b>20,000</b>	<b>40,000</b>	<b>100,000</b>
133	\$242.00	\$229.00	\$219.00	\$210.00	\$207.00	\$205.00
<b>Cat. No.</b>	<b>250</b>	<b>500</b>	<b>1,000</b>	<b>1,500</b>	<b>2,000</b>	<b>5,000</b>
450	\$1,200.00	\$800.00	\$600.00	\$500.00	\$480.00	\$450.00

### P/N 134 & 135 TILT LATCH



### P/N 137 TILT LATCH

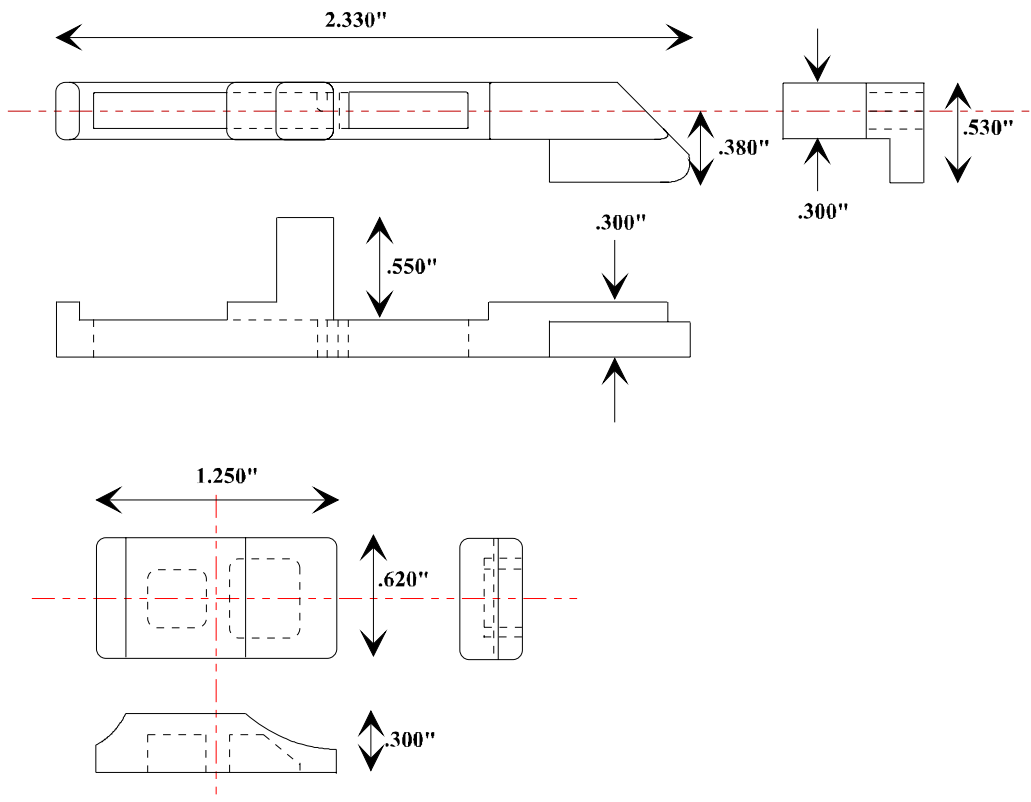
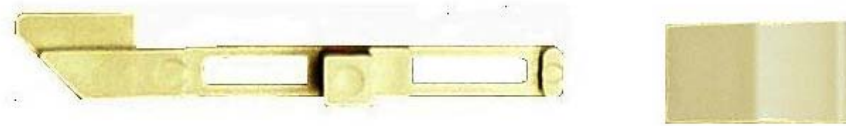


Prices Are Per Thousand

Cat. No.	Qty/ Ctn	1,000	5,000	10,000	20,000	40,000	100,000
134	1,200	\$427.00	\$267.00	\$226.00	\$203.00	\$189.00	\$179.00
135	1,200	\$427.00	\$267.00	\$226.00	\$203.00	\$189.00	\$179.00
137 W & N	900	\$440.00	\$435.00	\$424.00	\$418.00	\$409.00	\$381.00

- 134 = King
- 135 = Spectus
- 137 = Chelsea

# P/N 138 TILT LATCH ROYAL WINDOWS



Prices Are Per Thousand

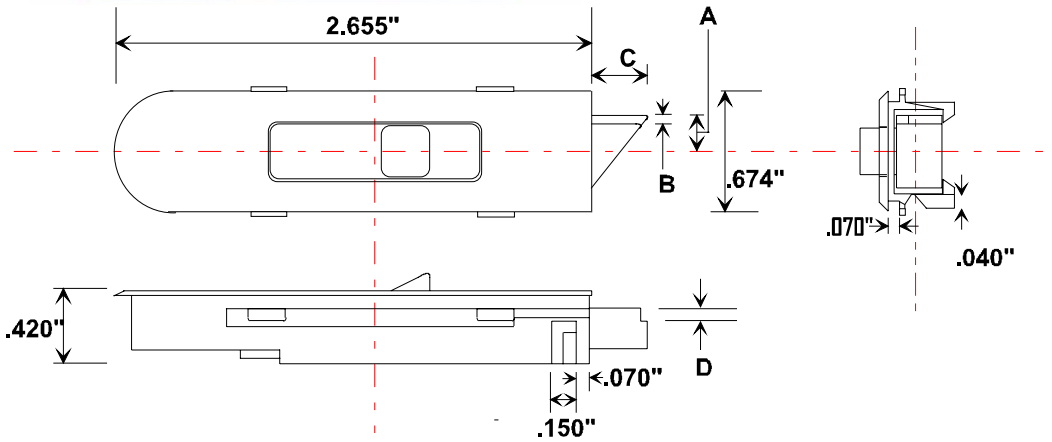
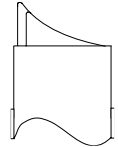
Cat. No.	Qty/Ctn	1,000	5,000	10,000	20,000	40,000	100,000
138 L & R	1,200	\$212.00	\$193.00	\$179.00	\$165.00	\$158.00	\$149.00

**Flush Mount Tilt Latch Part No.: 145**

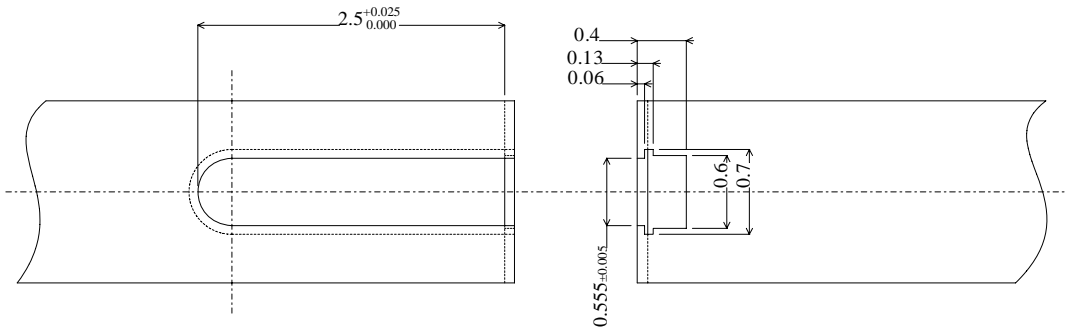
	#1	#2	#3	#4	#5
A	.295"	.345"	.205"	.375"	.245"
B	.085"	.155"	.040"	.200"	.070"
C	.340"	.345"	.315"	.420"	.345"
D	.080"	.080"	.075"	.080"	.080"



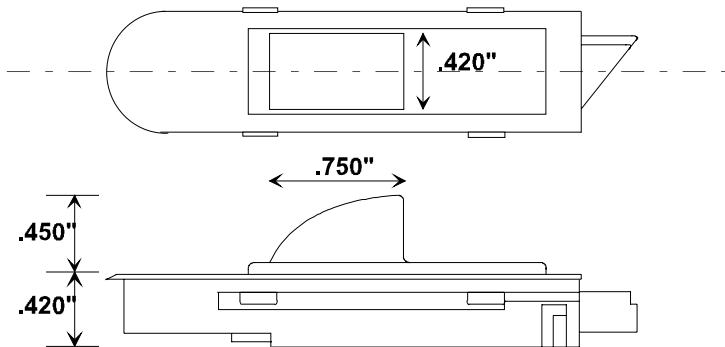
Nose # 5 configura-



**Recommended Slot Configuration**



**Flush Mount Tilt Latch With Large Button Part No.: 146**



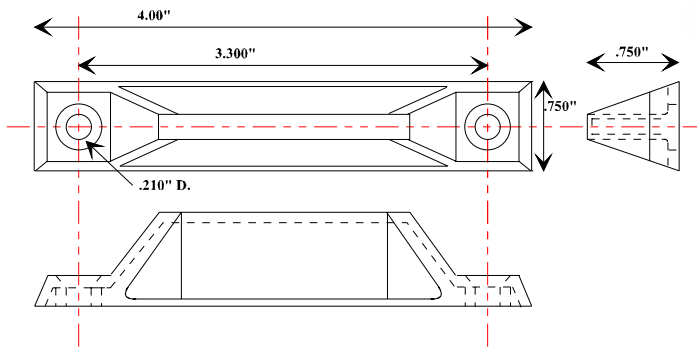
*Prices Are Per Thousand*

Cat. No.	Qty/Ctn	1,000	5,000	10,000	20,000	40,000	100,000
145	1,500	\$350.00	\$250.00	\$200.00	\$175.00	\$150.00	\$125.00
146	1,500	\$360.00	\$260.00	\$210.00	\$185.00	\$160.00	\$135.00

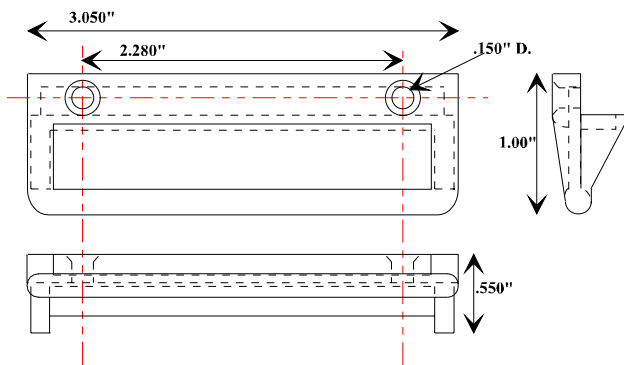


# SASH HANDLES LIFT AND SLIDERS

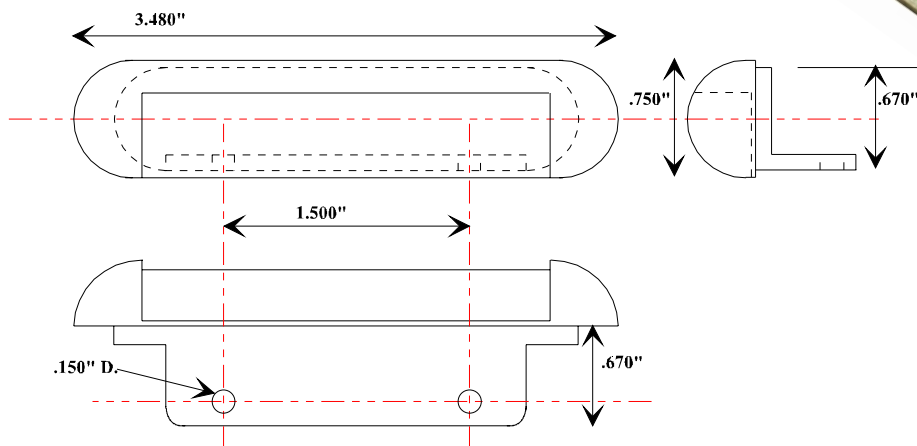
## P/N 150 SASH LIFT



## P/N 175 SLIDER HANDLE



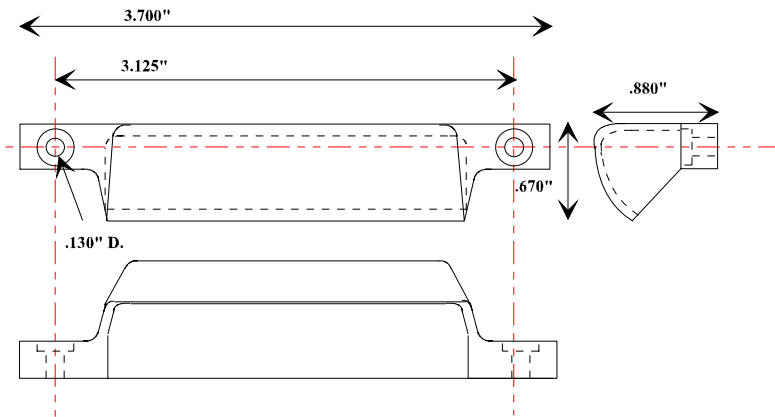
## P/N 180 SASH LIFT



See Price Matrix Next Page

# SASH HANDLES LIFT AND SLIDERS

## P/N 200 SASH LIFT

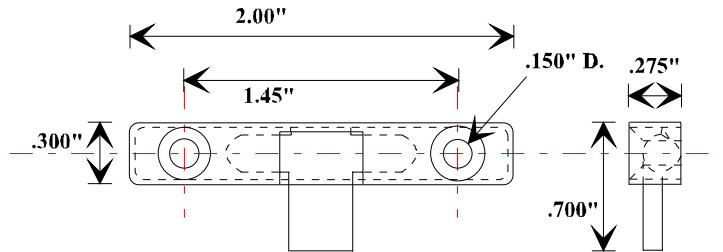


Price Per Thousand

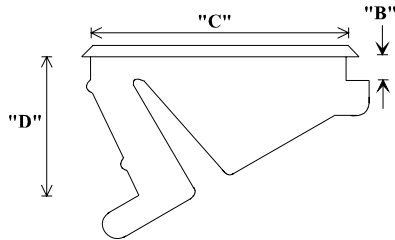
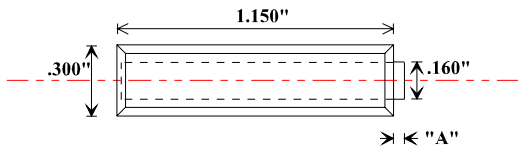
Cat. No.	Qty / Crtn	1,000	5,000	10,000	20,000	40,000	100,000
150	1,000	\$121.00	\$102.00	\$97.00	\$92.00	\$87.00	\$84.00
175	1,500	\$168.00	\$129.00	\$108.00	\$96.00	\$91.00	\$84.00
180	1,000	\$174.00	\$163.00	\$152.00	\$141.00	\$130.00	\$119.00
200	1,000	\$174.00	\$163.00	\$152.00	\$141.00	\$130.00	\$119.00

## Vent Stops

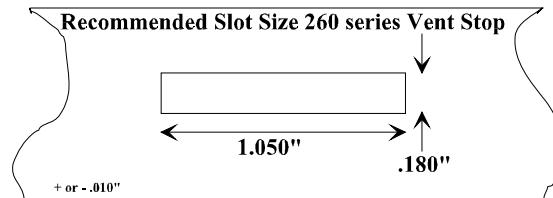
### 250 Surface Mount



### 260 Series



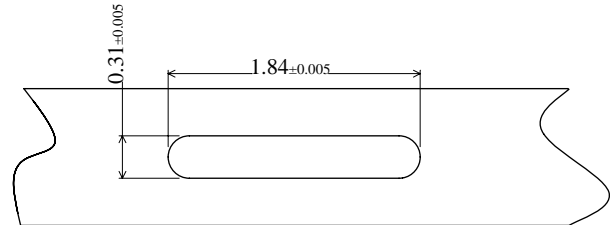
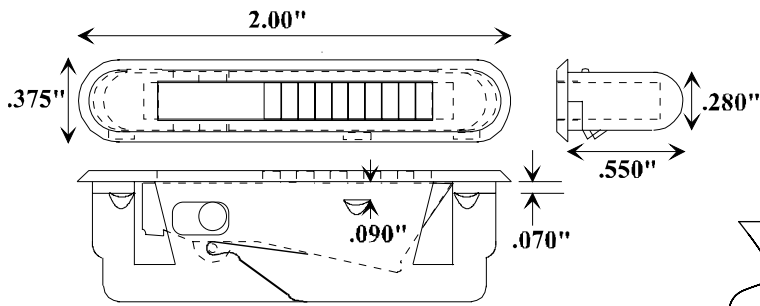
P/N	260	261	262
A	.015"	.025"	.055"
B	.085"	.105"	.110"
C	1.030"	1.045"	1.065"
D	.625"	.645"	.415"



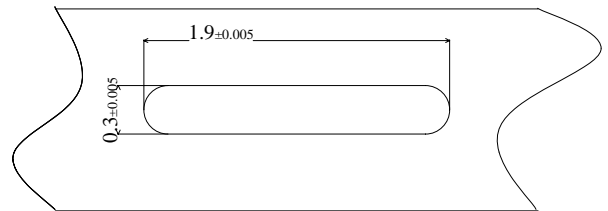
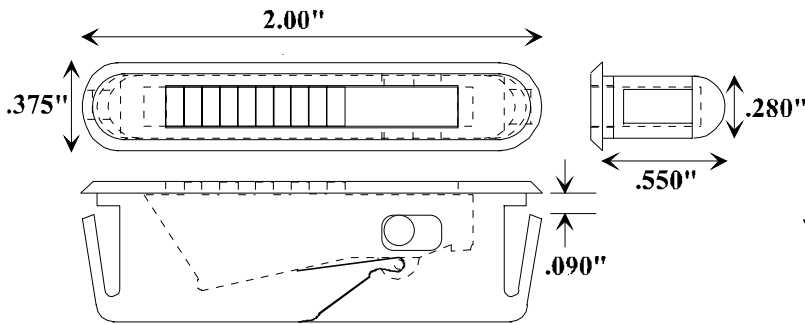
Vent Stop	Cat. No.	Qty/Carton	Price Break Quantity in					
			1,000	5,000	10,000	20,000	40,000	
250		4,000	\$129.00	\$105.00	\$69.00	\$62.00	\$49.00	\$48.00
260		10,000	\$196.00	\$93.00	\$69.00	\$55.00	\$50.00	\$49.00
261		10,000	\$196.00	\$93.00	\$69.00	\$55.00	\$50.00	\$49.00
262		10,000	\$196.00	\$93.00	\$69.00	\$55.00	\$50.00	\$49.00

# Vent Stops

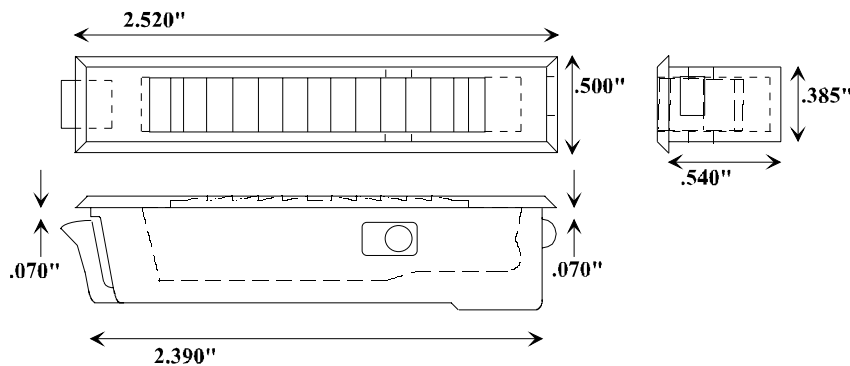
## P/N 263 VENT STOP



## P/N 263-1 VENT STOP



## P/N 265 VENT STOP

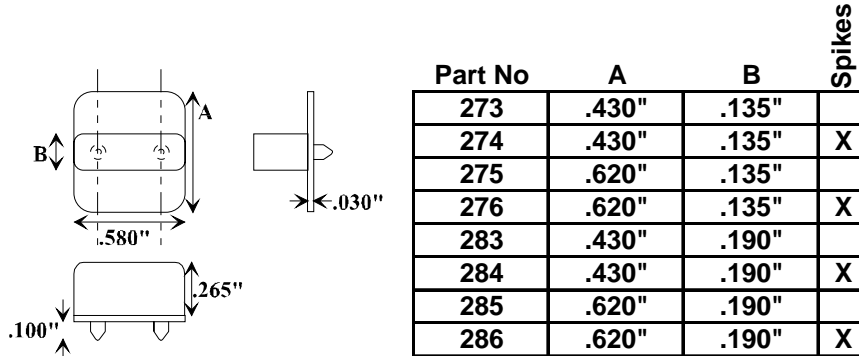


Prices are per Thousand

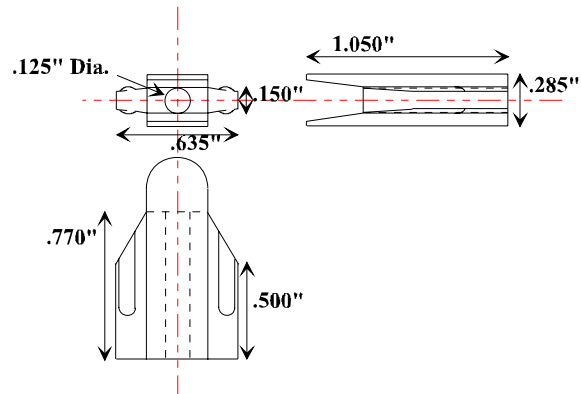
Cat. No.	Qty/Ctn	1,000	5,000	10,000	20,000	40,000	100,000
263	3,000	\$267.00	\$233.00	\$211.00	\$196.00	\$186.00	\$180.00
263-1	3,000	\$267.00	\$233.00	\$211.00	\$196.00	\$186.00	\$180.00
265	2,000	\$370.00	\$340.00	\$320.00	\$300.00	\$290.00	\$270.00

## Muntin Clips—Tube Anchors

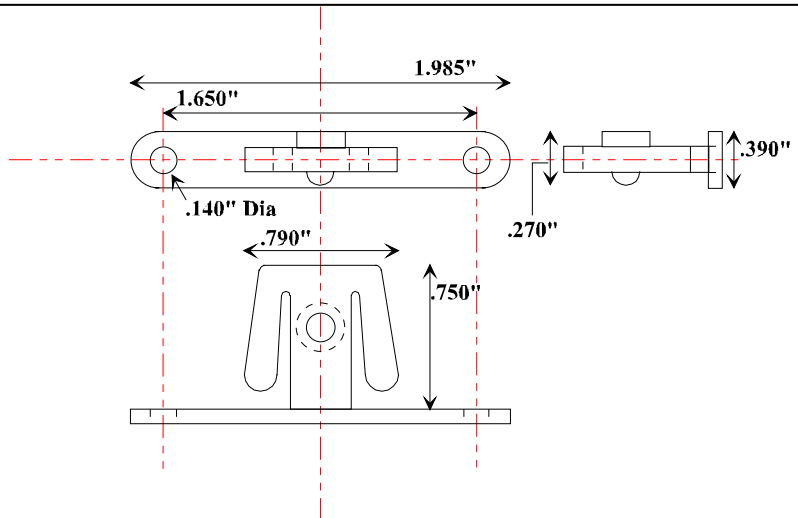
### P/N 273–286 CLIPS



### P/N 290 CLIP



### P/N 295 CLIP

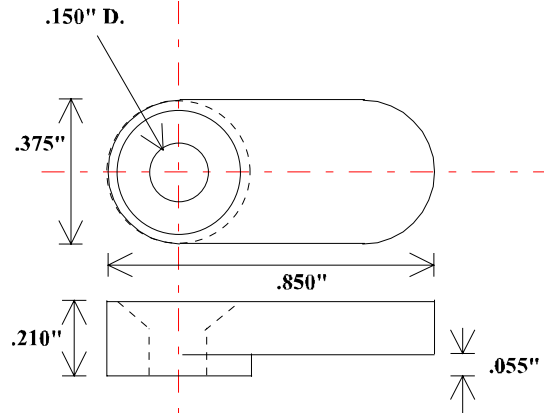


Prices Are Per Thousand

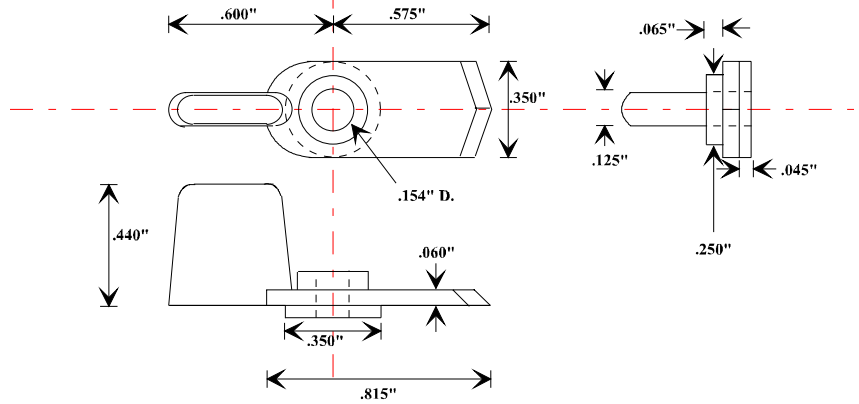
Cat. No.	Qty/Ctn	5,000	10,000	20,000	40,000	100,000	250,000
273 - 286	10,000	\$70.00	\$50.00	\$40.00	\$35.00	\$30.00	\$25.00
290	4,000	**	\$80.00	\$70.00	\$65.00	\$60.00	
295	5,000	\$175.00	\$160.00	\$155.00	\$145.00	\$140.00	

## Screen Clips & Retainers

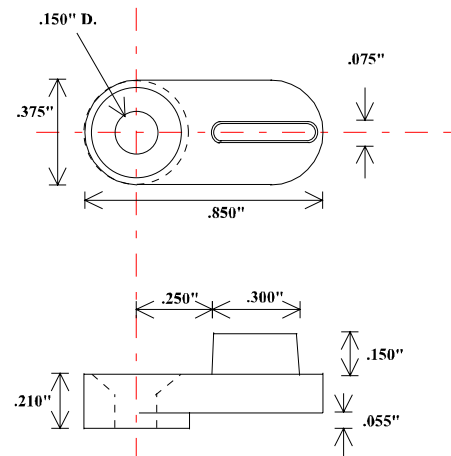
### P/N 305 CLIPS



### P/N 306 CLIPS



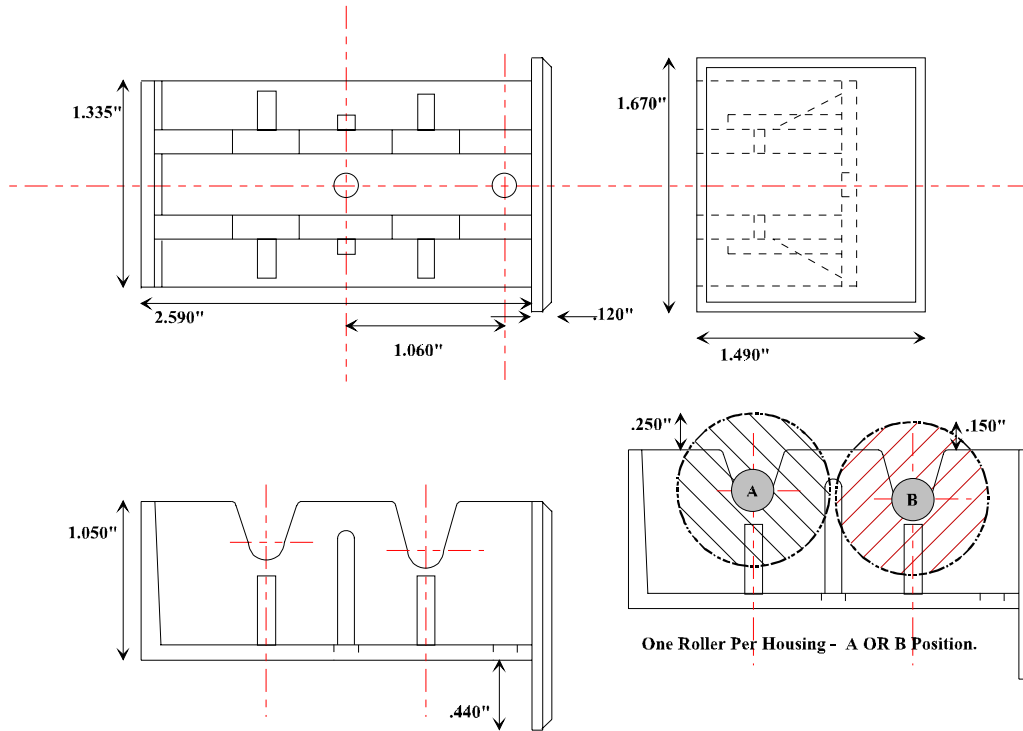
### P/N 308 CLIPS



Prices Per Thousand

Cat. No.	1,000	5,000	10,000	20,000	40,000	100,000
305	\$97.00	\$57.00	\$44.00	\$37.00	\$34.00	\$33.00
306	**	\$99.00	\$84.00	\$80.00	\$77.00	\$74.00
308	\$99.00	\$59.00	\$46.00	\$39.00	\$36.00	\$35.00

## P/N 410 Adjustable Roller Housing

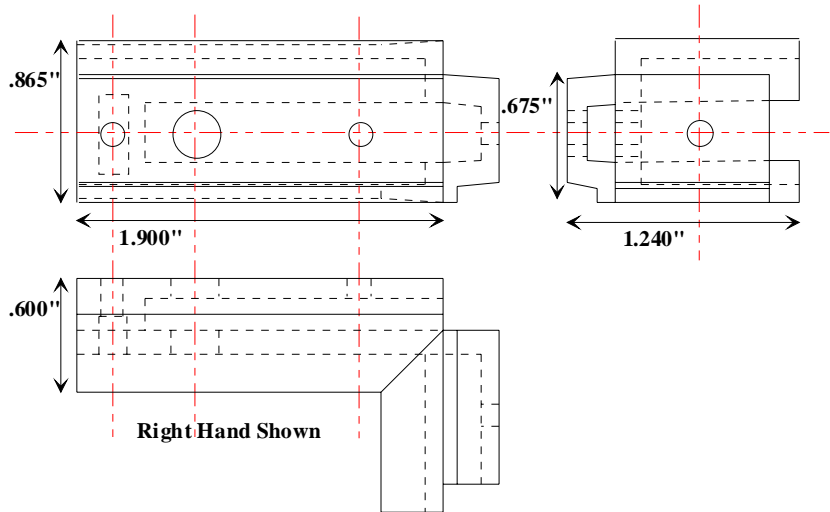


Roller for the #410 Assembly can be purchased from:  
 Product Design Development  
 2603 Keyway Drive  
 York, PA. 17402  
 Ph# 717 741 4844  
 Roller Part No.: H-542  
 Ask for Mike Brezler

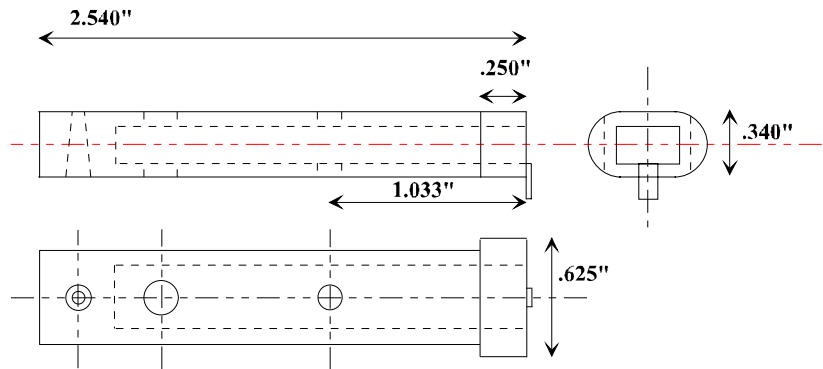
Prices are per thousand

Cat. No.	Qty/Ctn	1,000	5,000	10,000	20,000	40,000	100,000
410	500	\$451.00	\$384.00	\$343.00	\$318.00	\$300.00	\$288.00

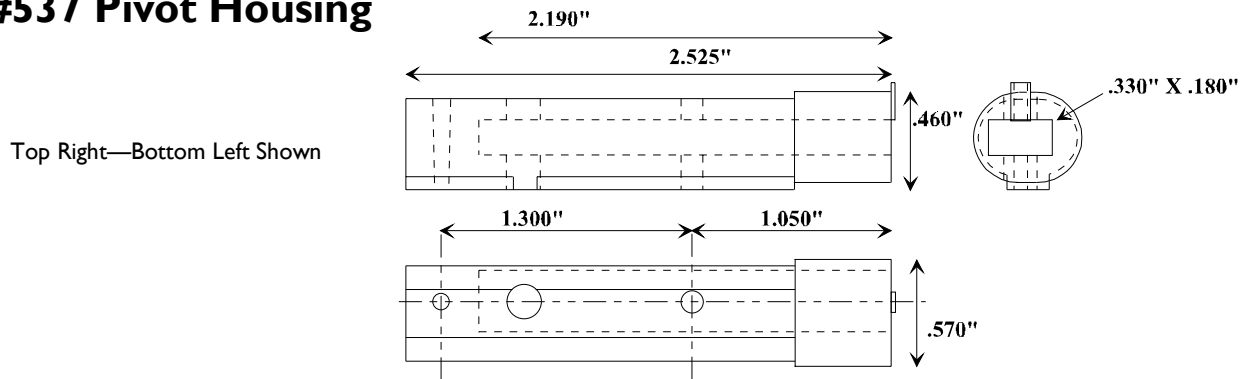
## #502 Corner



## #533 Pivot Housing



## #537 Pivot Housing



Above parts can be supplied with ADEPT Bars no. 0610912625  
 WWW.ADEPTCORP.Com

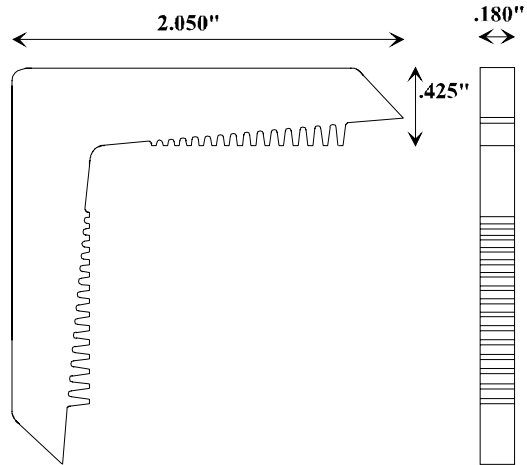
Prices are per thousand

Cat No.		1,000	5,000	10,000	20,000	40,000	100,000
502-O	W/O Bar	\$156.00	\$139.00	\$126.00	\$115.00	\$107.00	\$100.00
533-O	W/O Bar	\$164.00	\$135.00	\$117.00	\$105.00	\$96.00	\$90.00
537-O	W/O Bar	\$167.00	\$140.00	\$120.00	\$110.00	\$99.00	\$93.00
502-S	Bar 0610912625	\$220.00	\$200.00	\$185.00	\$173.00	\$163.00	\$154.00
533-S	Bar 0610912625	\$220.00	\$189.00	\$169.00	\$156.00	\$146.00	\$139.00
537-S	Bar 0610912625	\$220.00	\$189.00	\$169.00	\$156.00	\$146.00	\$139.00

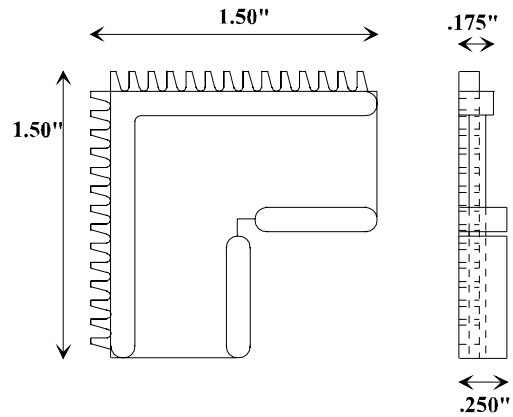


# CORNER KEYS & SUPPORTS

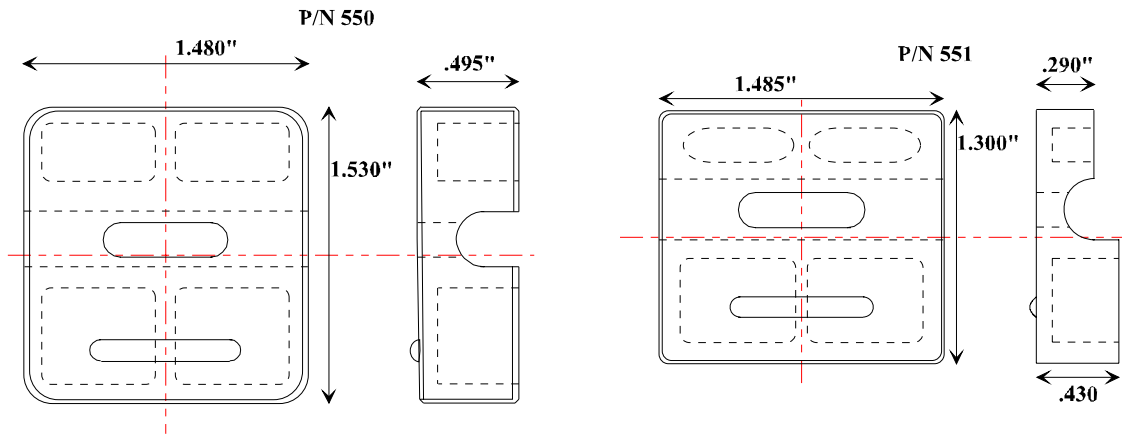
## P/N 510 CORNER KEY



## P/N 515 CORNER KEY



## P/N 550 & 551 SUPPORT BLOCK

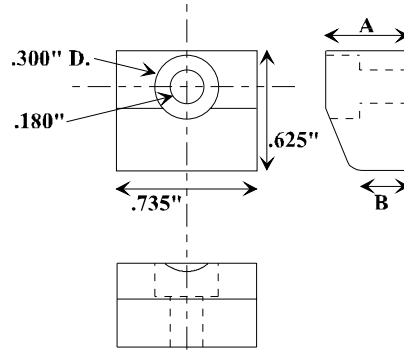


*Price Per Thousand*

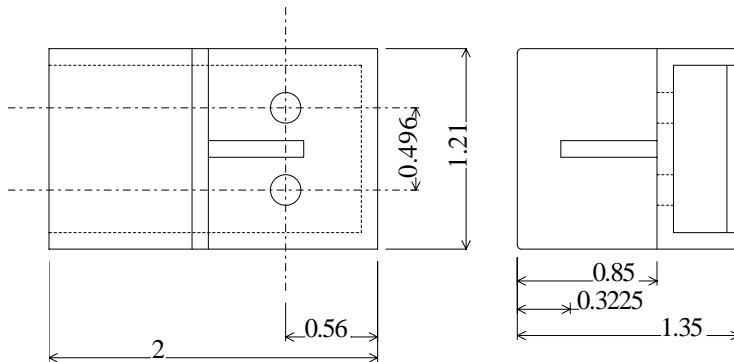
Cat. No.	Qty/Ctn	1,000	5,000	10,000	20,000	40,000	100,000
510	3,000	\$65.00	\$58.00	\$53.00	\$48.00	\$45.00	\$43.00
515	3,000	\$84.00	\$76.00	\$68.00	\$63.00	\$57.00	\$54.00
550	1,000	\$74.00	\$65.00	\$56.00	\$51.00	\$50.00	\$49.00
551	2,000	\$53.00	\$49.00	\$47.00	\$45.00	\$44.00	\$43.00

## Casement Ramp - Part No. 553

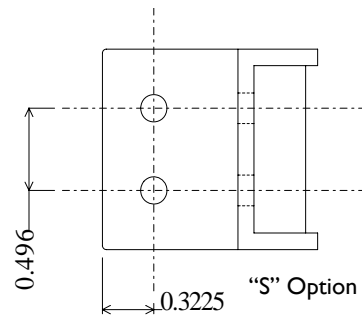
Part No.	A-Dim	B-Dim
553	.435"	.300"
553-A	.390"	.250"



## Flanker Stop - Part No. 554



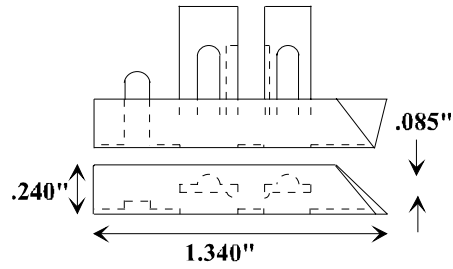
Part	A-Dim.	B-Dim.
554-A	2.00"	1.365"
554-B	1.135"	1.365"
554-C	2.00"	1.130"
554-D	1.135"	1.130"



Prices are per  
 Thousand

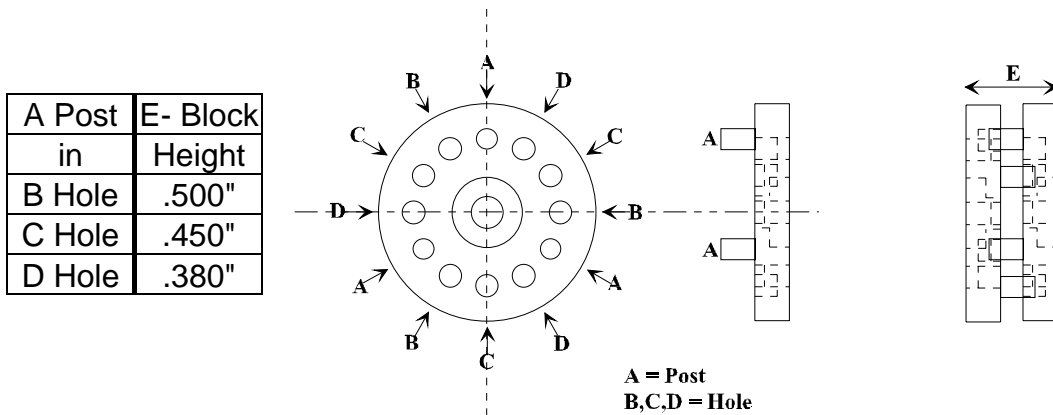
Cat. No.	Qty/Ctn	1,000	5,000	10,000	25,000	50,000	100,000
553	5,000	**	\$85.00	\$70.00	\$60.00	\$55.00	\$50.00
553-A	5,000	**	\$85.00	\$70.00	\$60.00	\$55.00	\$50.00
554	750	\$233.00	\$216.00	\$205.00	\$197.00	\$192.00	\$188.00
554 S-Option	750	\$283.00	\$266.00	\$255.00	\$247.00	\$242.00	\$238.00

**Dam Leg Plug - Part No. 555-I**

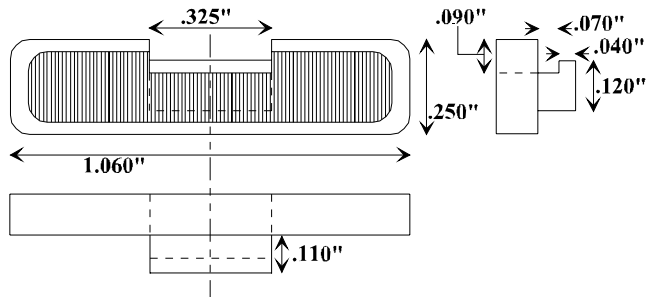


Left Hand Shown

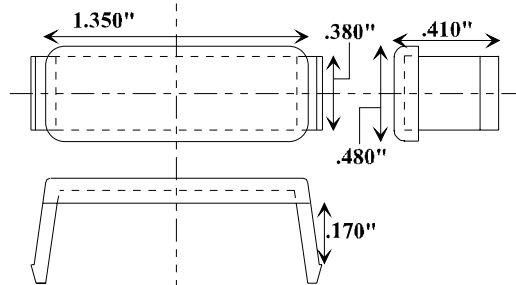
**Casement Adjustable Anti-Lift Block - Part No. 556**



**Slider Lock - Part No. 557**



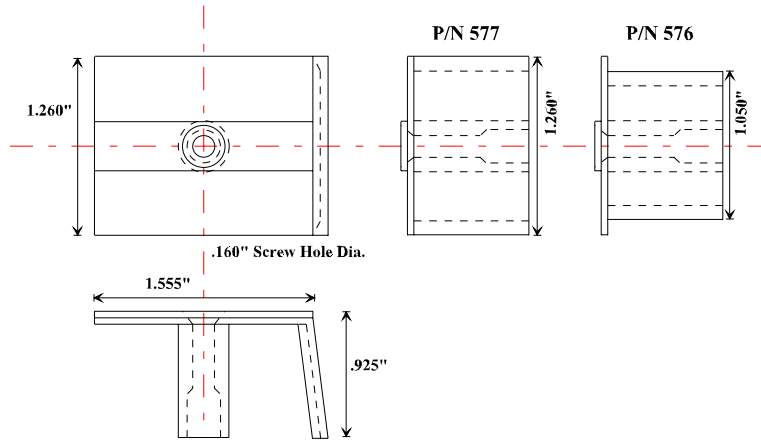
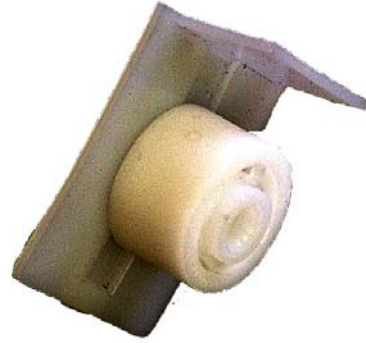
**Slide Pad - Part No. 560**



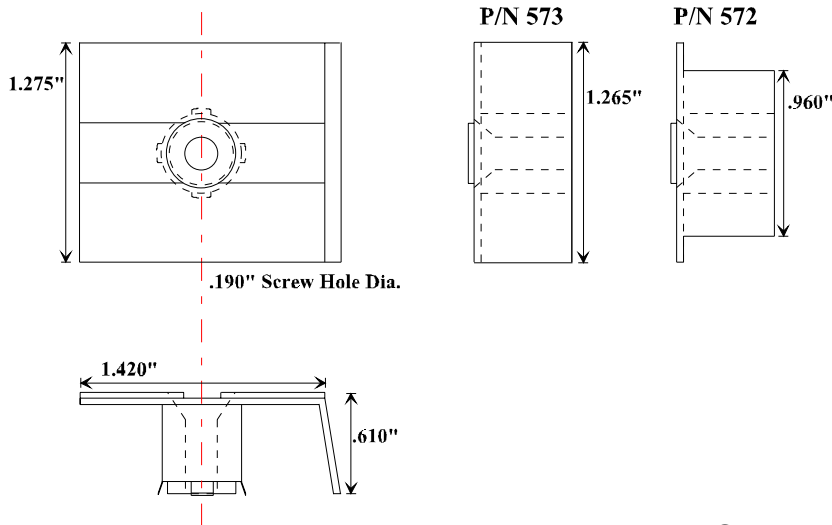
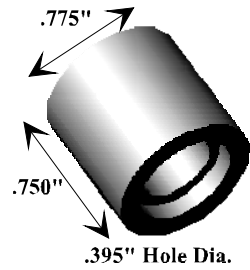
Prices are per thousand

Cat. No.	Qty / Ctn	1,000	5,000	10,000	20,000	40,000	100,000
555-1		\$145.00	\$105.00	\$85.00	\$75.00	\$70.00	\$69.00
556	5,000	\$126.00	\$112.00	\$102.00	\$90.00	\$81.00	\$75.00
557		\$100.00	\$85.00	\$70.00	\$60.00	\$55.00	\$50.00
560 <sup>9</sup>		\$126.00	\$93.00	\$75.00	\$61.00	\$53.00	\$50.00

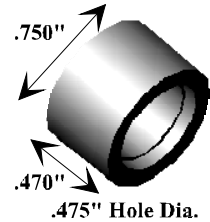
## Balance Drums and Covers



P/N 575



P/N 574



Covers are molded of 6/6 Nylon  
Drums are molded of Acetal

Price Break

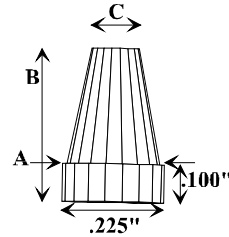
Qty

Cat. No.	Qty/Carton	1,000	5,000	10,000	20,000	40,000	100,000
574	5000	\$70.00	\$60.00	\$47.00	\$40.00	\$37.00	\$35.00
575	3200	\$75.00	\$65.00	\$59.00	\$54.00	\$50.00	\$48.00
572 / 573	2500	\$68.00	\$62.00	\$52.00	\$45.00	\$42.00	\$41.00
576 / 577	1600	\$73.00	\$63.00	\$57.00	\$52.00	\$48.00	\$46.00
572D / 573D	2500	\$158.00	\$142.00	\$119.00	\$105.00	\$99.00	\$96.00
576D / 577D	1600	\$168.00	\$148.00	\$136.00	\$126.00	\$118.00	\$114.00

“D” denotes preassembled product

# MISCELLANEOUS ITEMS

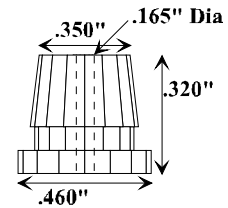
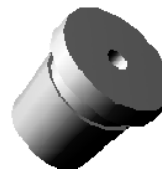
## Heat Mirror Plugs



	A	B	C
P/N 590	.200"	.400"	.120"
P/N 589	.135"	.290"	.080"

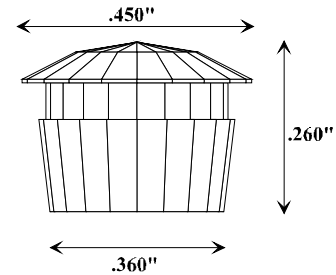
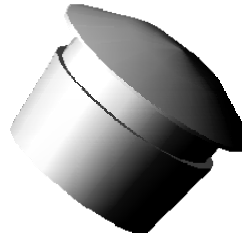
## Installation Bushing Part No. 701

.375" Hole Recommended

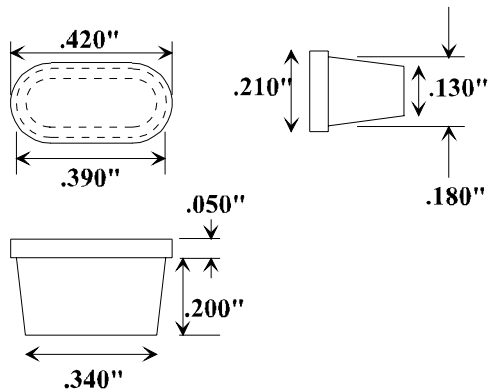


## Hole Plug Part No. 702

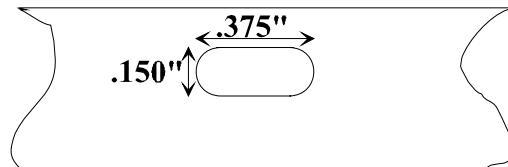
.375" Hole Recommended



## Oval Hole Plug Part No. 705



Designed to Plug Oval Holes

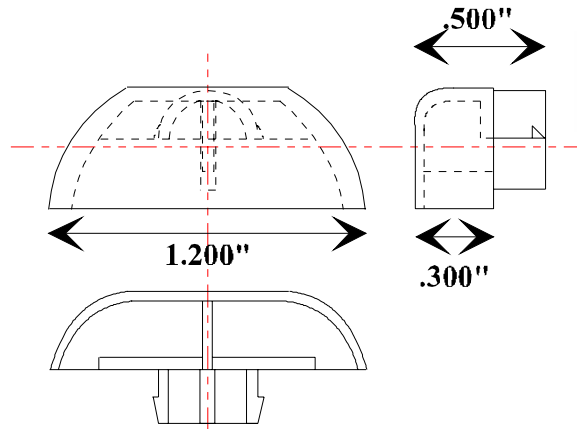


Prices are Per Thousand

Cat. No.	Qty / Ctn	1,000	5,000	10,000	20,000	40,000	100,000
589/590	10,000	\$50.00	\$45.00	\$42.00	\$39.00	\$36.00	\$34.00
701	10,000	\$39.00	\$30.00	\$25.00	\$20.00	\$17.00	\$15.00
702	10,000	\$39.00	\$30.00	\$25.00	\$20.00	\$17.00	\$15.00
705	10,000	\$46.00	\$41.00	\$38.00	\$35.00	\$32.00	\$30.00

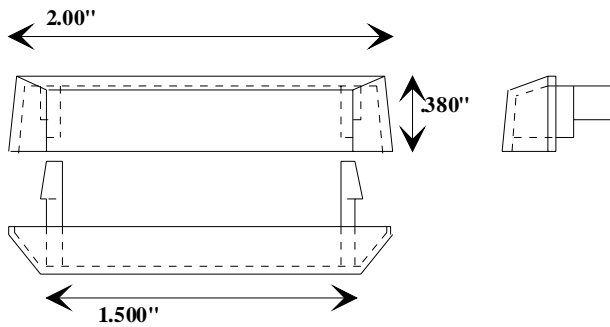
# WEEP HOLE COVERS

## P/N 600 WEEP HOLE COVER

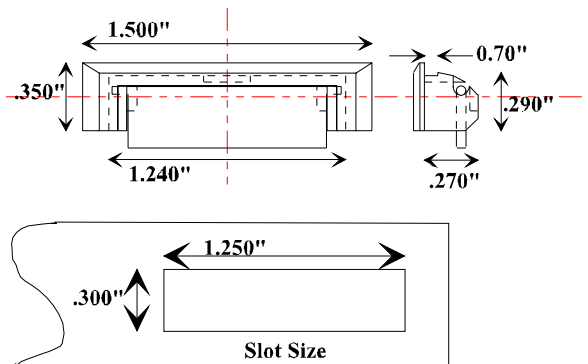


3/8" Hole Recommended

## P/N 605 WEEP HOLE COVER



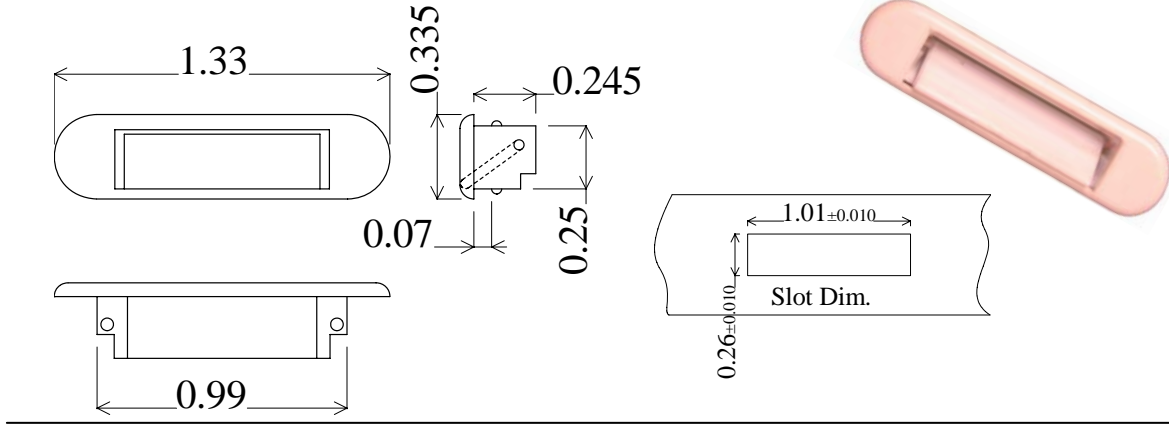
## P/N 610 WEEP HOLE COVER



Cat. No.	1,000	5,000	10,000	20,000	40,000	100,000
600	\$188.00	\$133.00	\$94.00	\$72.00	\$60.00	\$55.00
605	**	\$90.00	\$72.00	\$65.00	\$60.00	\$58.00
610	\$203.00	\$148.00	\$109.00	\$87.00	\$75.00	\$70.00

# WEEP HOLE COVERS

## P/N 620 WEEP HOLE COVER

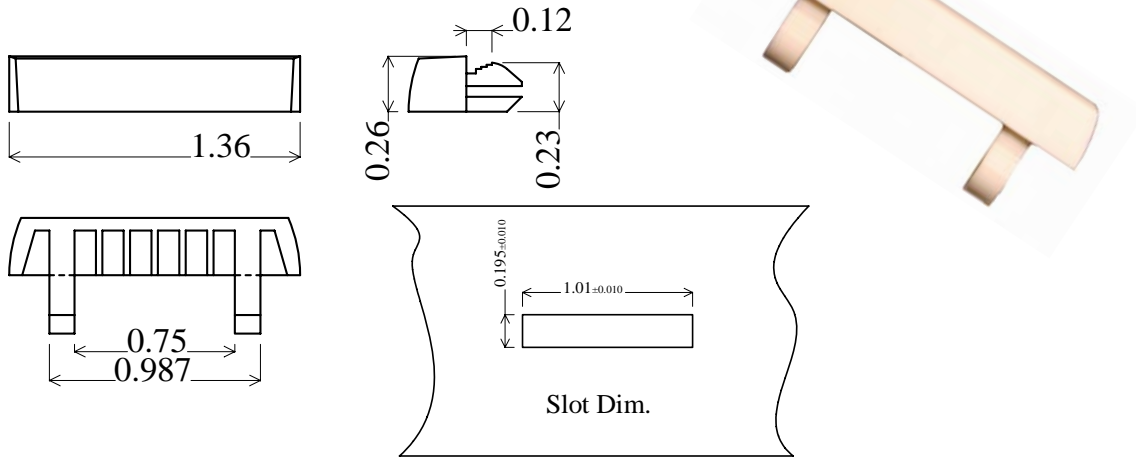


*Weep Hole Cover*

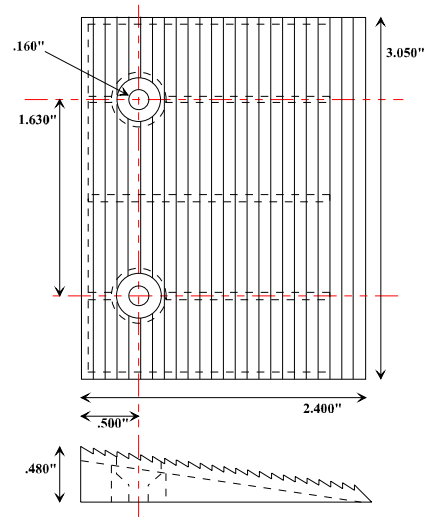
Cat. No.	Qty/Ctn	1,000	5,000	10,000	20,000	40,000	100,000
620	5,000	\$188.00	\$133.00	\$94.00	\$72.00	\$60.00	\$50.00
625	5,000	\$203.00	\$188.00	\$133.00	\$94.00	\$72.00	\$60.00

Prices are "Per Thousand"

## P/N 625 WEEP HOLE COVER

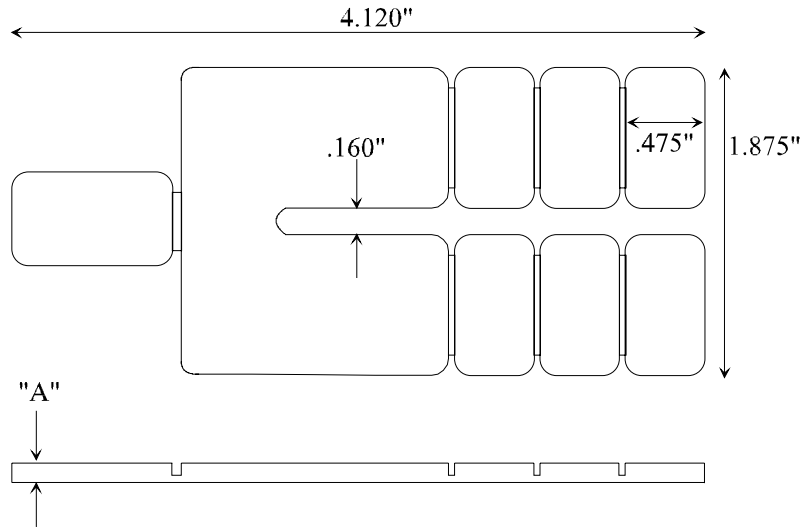


## P/N 700 INSTALLATION WEDGE



## INSTALLATION SHIM

	A-Dim
710	1/16"
711	1/8"



Prices are per Thousand

Cat. No.	Qty / Ctn	1,000	5,000	10,000	20,000	40,000	100,000
700	500	\$163.00	\$152.00	\$143.00	\$136.00	\$132.00	\$130.00
710 (1/16")	2,000	\$47.00	\$39.00	\$33.00	\$29.00	\$28.00	\$26.00
711 (1/8")	1,300	\$64.00	\$56.00	\$50.00	\$48.00	\$46.00	\$42.00



**WOODLAND ENGINEERING COMPANY**

**122 BAKER ROAD—PO BOX 632**

**LIBERTYVILLE, IL. 60048**

**WWW.WOODLANDENGINEERING.COM**

**PHONE—847-362-0110**

**FAX—847-362-5130**

**E-MAIL: SALES@WOODLANDENGINEERING.COM**

Window Layout is as viewed from OUTSIDE the home.

**Blanket Order Terms**

1. Annual usage determines Quantity Break.
2. Amount ordered must be used inside of one year.
3. Minimum shipment frequency is monthly. (No less than 12 shipments per blanket item)
4. A “Stocking Fee” will be applied for unshipped or cancelled orders.
5. Colors may be combined for blanket quantity.